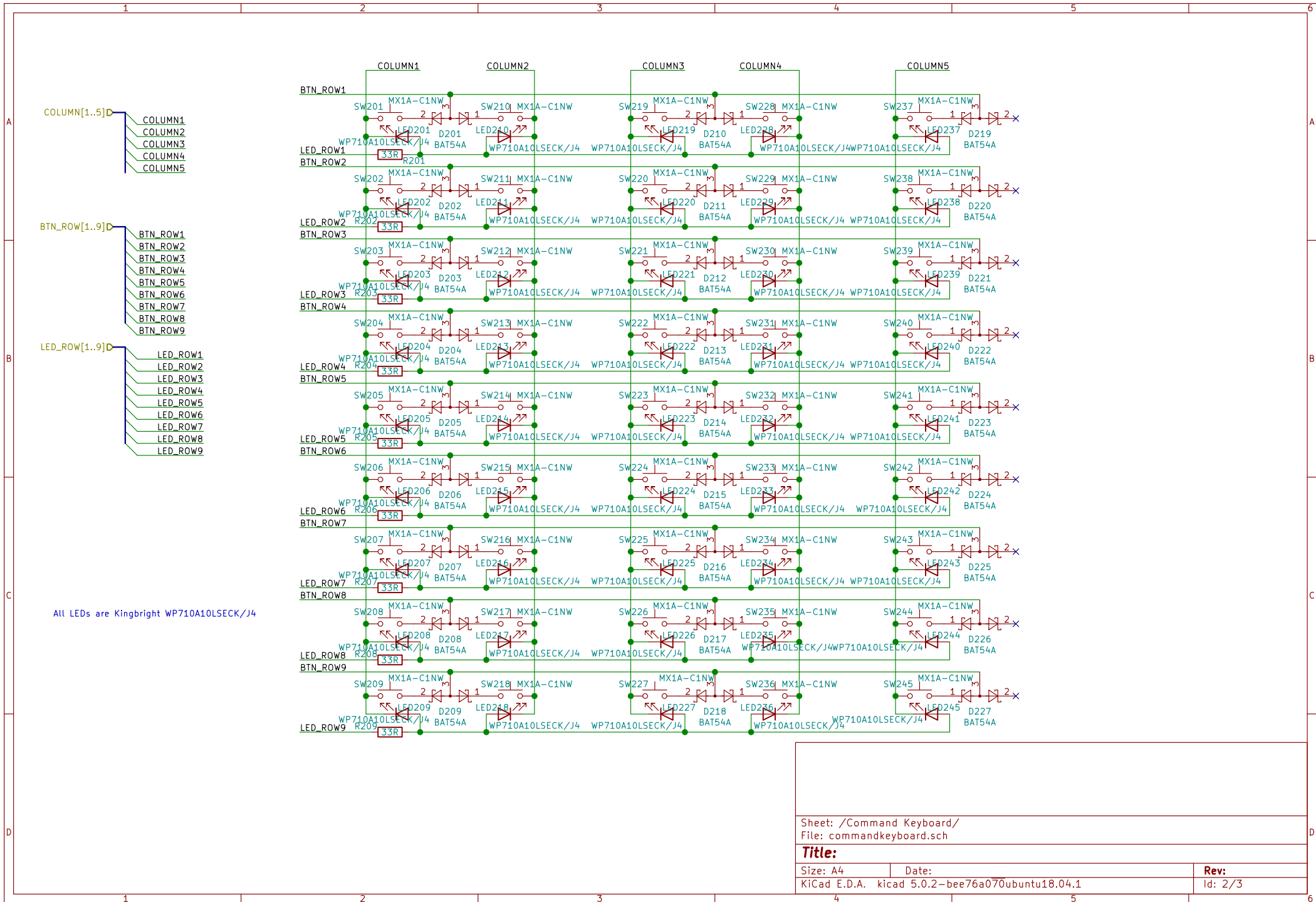


Sheet: /	
File: CommandKeyboard5x9.sch	
Title:	
Size: A4	Date:
KiCad E.D.A. kicad 5.0.2-bee76a070ubuntu18.04.1	Rev: 1/3



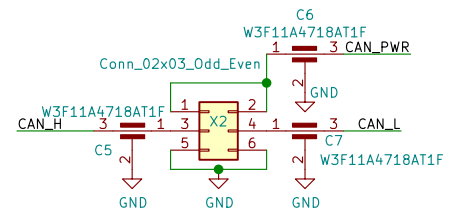
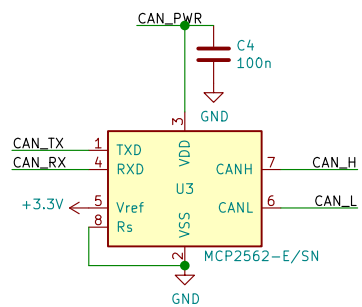
Sheet: /Command Keyboard/
File: commandkeyboard.sch

Title:

Size: A4 Date: Kicad E.D.A. kicad 5.0.2-bee76a070ubuntu18.04.1

Rev: Id: 2/3

CAN_PWRD CAN_PWR
 CAN_TXD CAN_TX
 CAN_RXD CAN_RX



Sheet: /CAN I/O/
 File: can-io.sch

Title:

Size: A4 Date:
 KiCad E.D.A. kicad 5.0.2-[bee76a070ubuntu18.04.1](https://github.com/bee76a070ubuntu18.04.1)

Rev:
 Id: 3/3