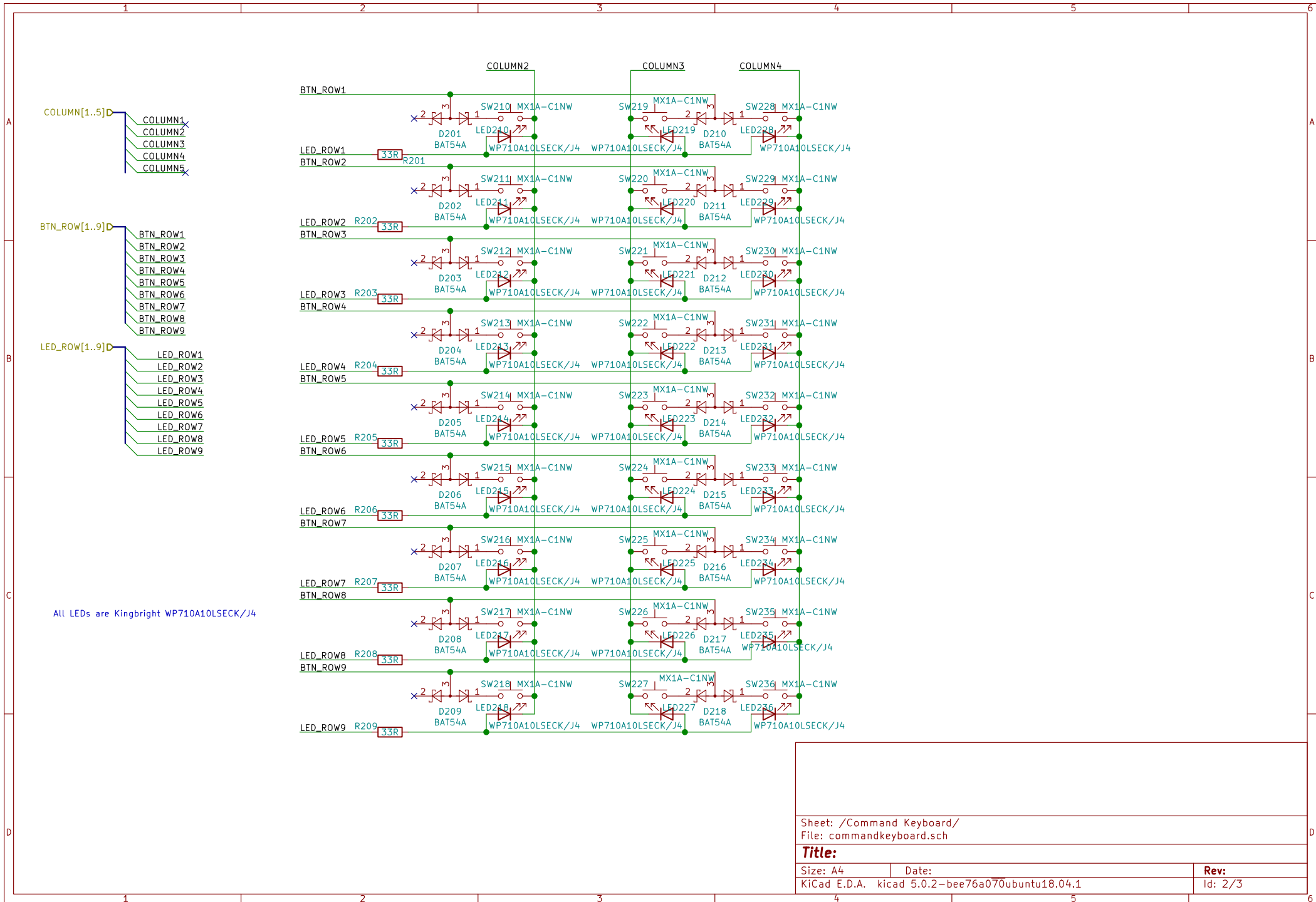


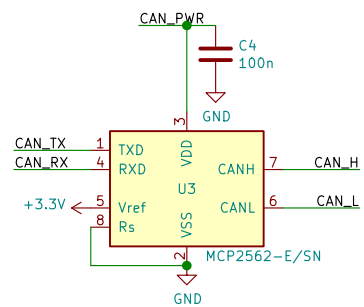
PF2-RESET_N = CPU_COLUMN6 = RESET_N
 PA13 = CPU_COLUMN7 = SWDIO
 PA14-BOOT0 = CPU_COLUMN8 = SWCLK

 Wenn CONSOLE_TX/RX verwendet wird als COL7,8, kann man debuggen und 8 Spalten unterstützen.

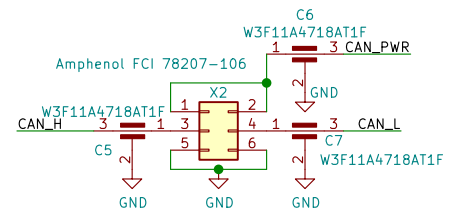
Sheet: /	
File: CommandKeyboard3x9.sch	
Title:	
Size: A4	Date:
KiCad E.D.A. kicad 5.0.2-bee76a070ubuntu18.04.1	
Rev:	Id: 1/3



CAN_PWRD ← CAN_PWR
 CAN_TXD ← CAN_TX
 CAN_RXD ← CAN_RX



X2 Alternatives:
 - 3M 30306-5002HB
 - Amphenol FCI 75867-331LF
 - Amphenol FCI 78207-106
 - Amphenol FCI 10129382-906003BLF
 (Shrouded 2.54mm right-angle 2row 6position)



Sheet: /CAN I/O/
 File: can-io.sch

Title:

Size: A4 Date:
 KiCad E.D.A. kicad 5.0.2-bee76a070ubuntu18.04.1

Rev:
 Id: 3/3