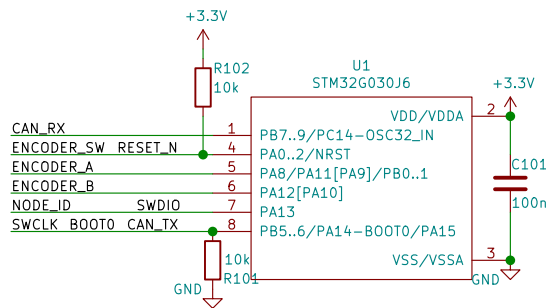
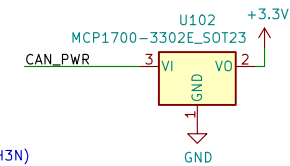


- 1 - PB7(USART1RX)/PB8/PB9/PC14-OSC32_IN
- 2 - VDD/VDDA
- 3 - VSS/VSSA
- 4 - PA0/PA1/PA2/NRST / BOOTUART(USART2TX)
- 5 - PA8/PA11[PA9]/PB0/PB1 / BOOTUART(USART1TX)
- 6 - PA12[PA10] / BOOTUART(USART1RX)
- 7 - PA13 / SWDIO
- 8 - PB5/PB6(USART1TX)/PA14-B00T0/PA15/SWCLK/USART2TX/USART2RX



PA8(TIM1_CH1)/PA9(TIM1_CH2)/TIM1_CH4TIM1_BKIN2)/PB0(TIM3_CH3,TIM1_CH2N)/PB1(TIM14_CH1,TIM3_CH4,TIM1_CH3N)
 PA10(TIM1_CH3,TIM17_BKIN)/PA12(TIM1_EHR)
 PB7(TIM17_CH1N)/PB8(TIM16_CH1N)/PB9(TIM17_CH1)/PC14(TIM1_BKIN)
 PB5(TIM3_CH2,TIM16_BKIN)/PB6(TIM1_CH3,TIM16_CH1N)//PA14()/PA15()



Sheet: /
 File: Encoder1x.sch

Title:

Size: A4 Date:
 KiCad E.D.A. kicad 5.0.2-bee76a070ubuntu18.04.1

Rev:
 Id: 1/1